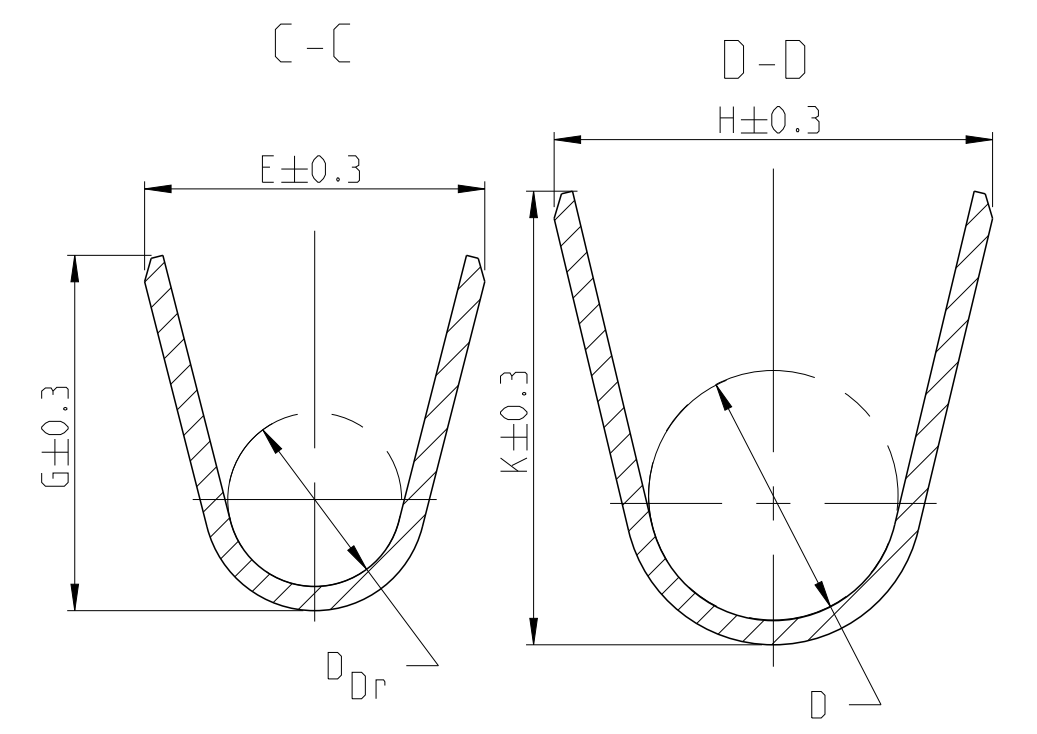
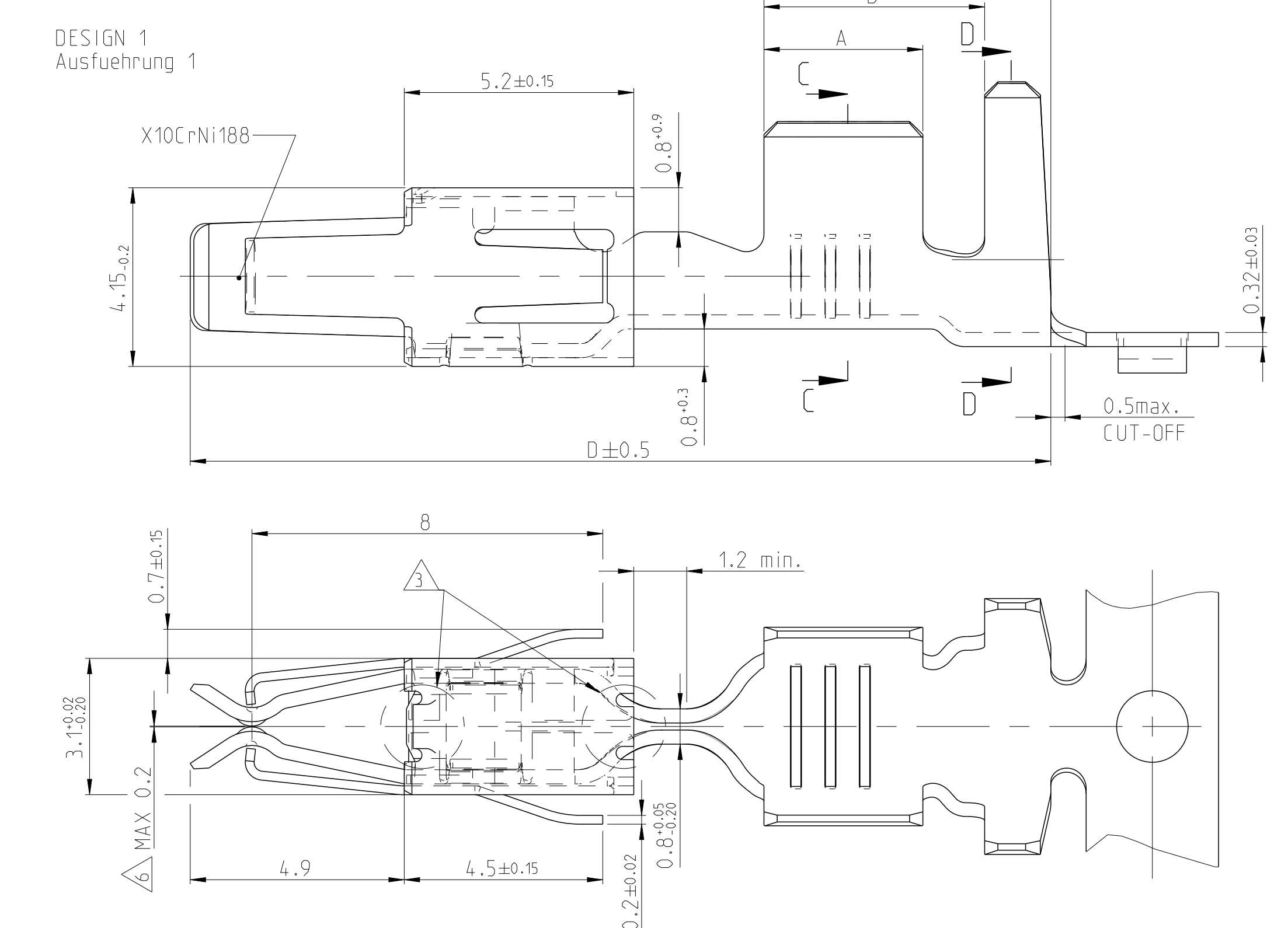
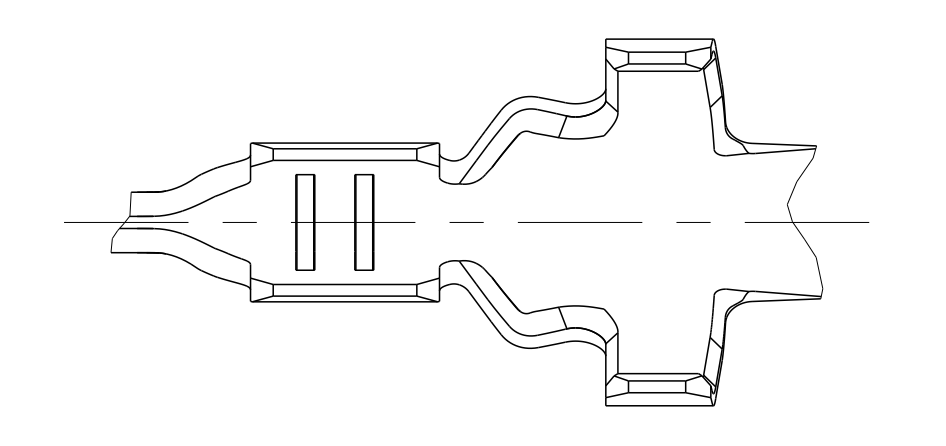
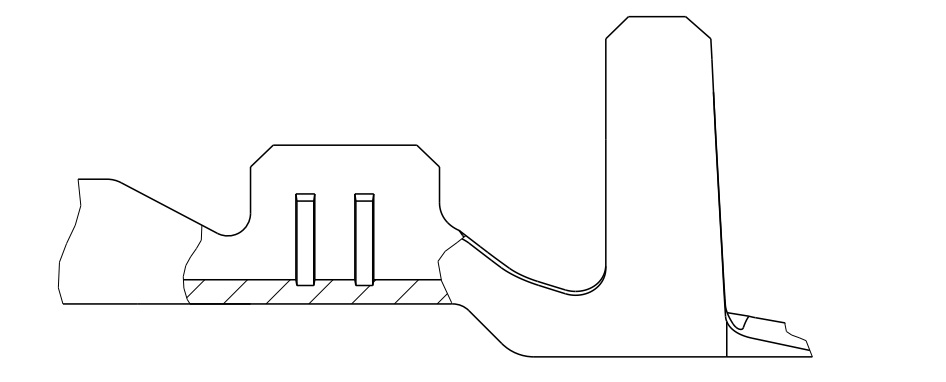
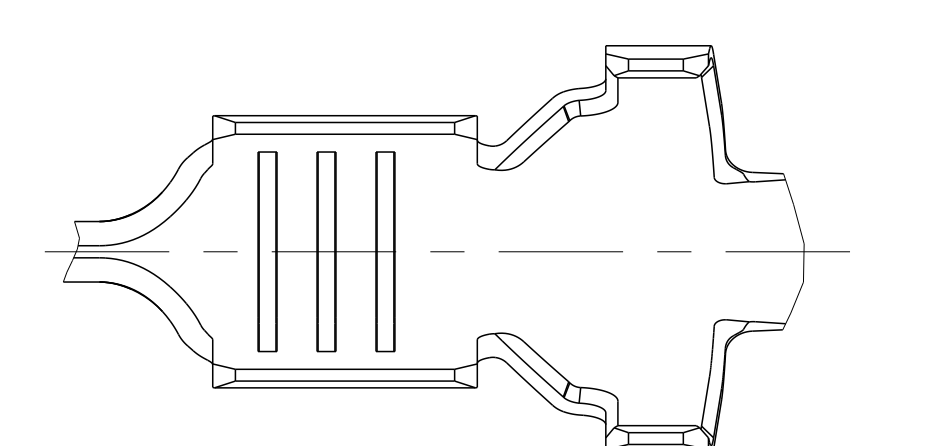
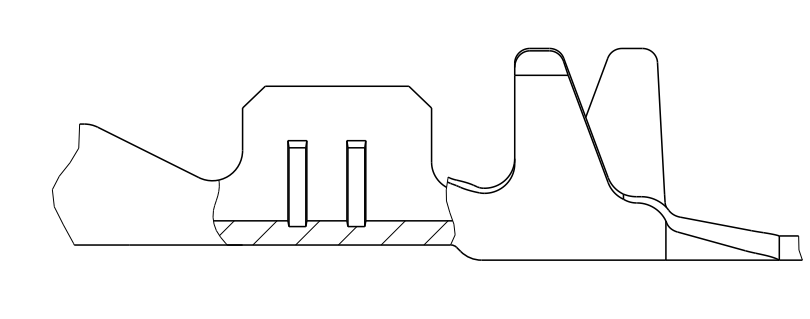
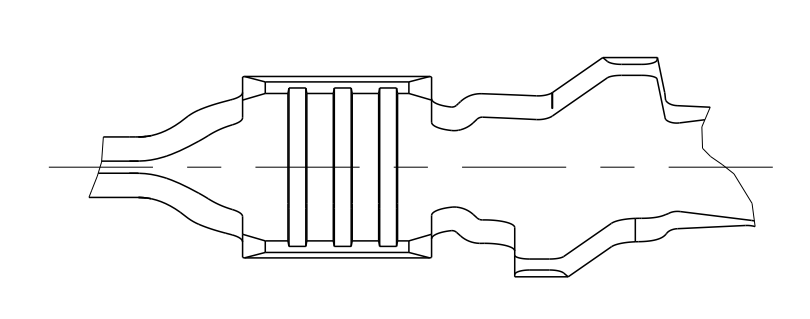
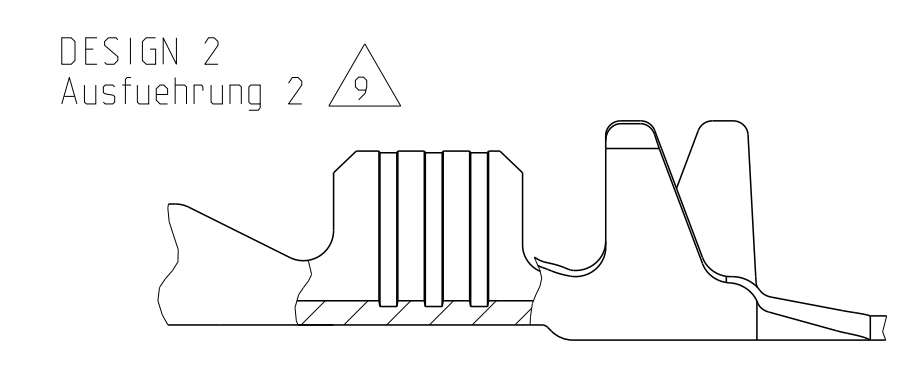
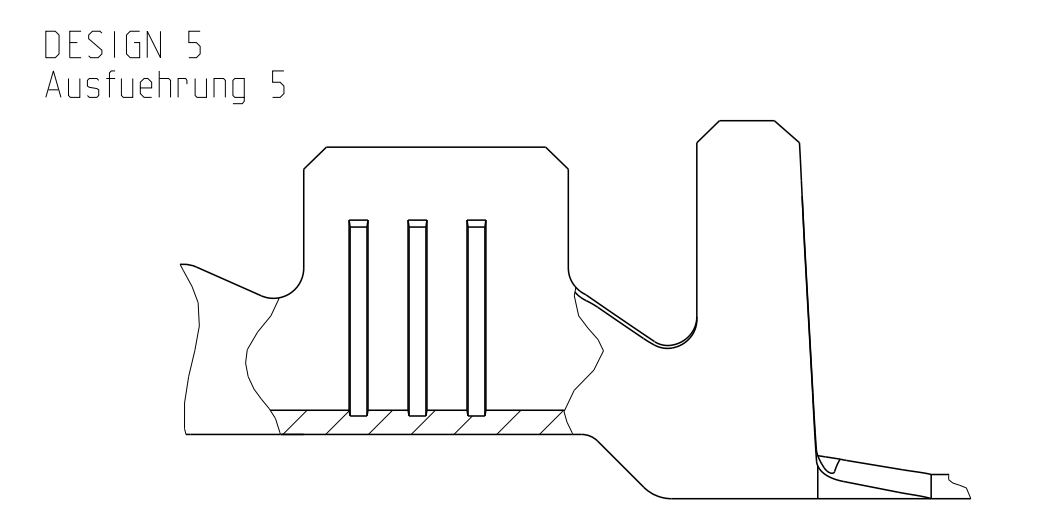
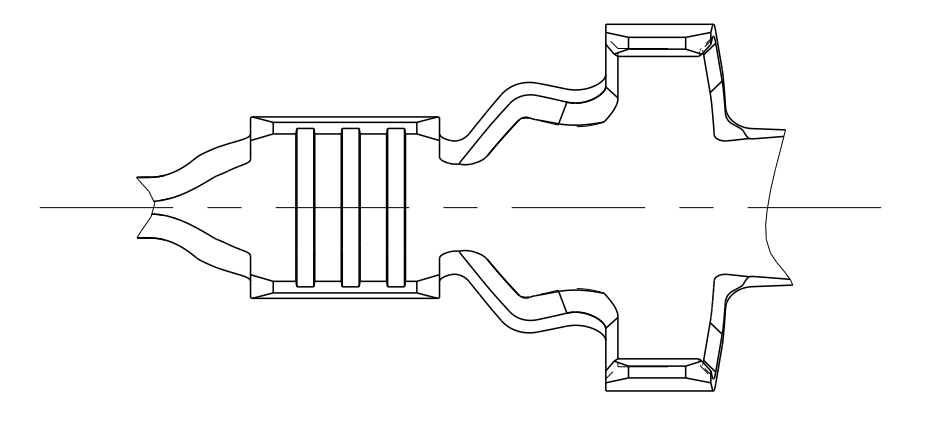
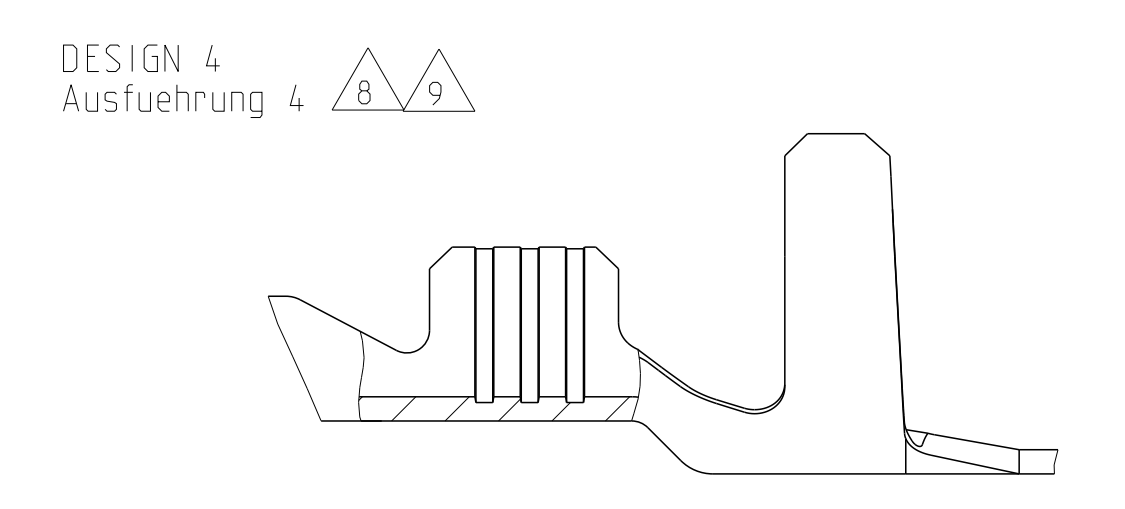


REVISIONS			
REV	DATE	BY	APPD
B12	10APR16	tomskj	Egr
B13	16OCT2016	tomskj	Egr
B14	16APR2015	sk	Sch
B15	15OCT2015	vh	Sch

FLR-WIRE
FLR-Leitung



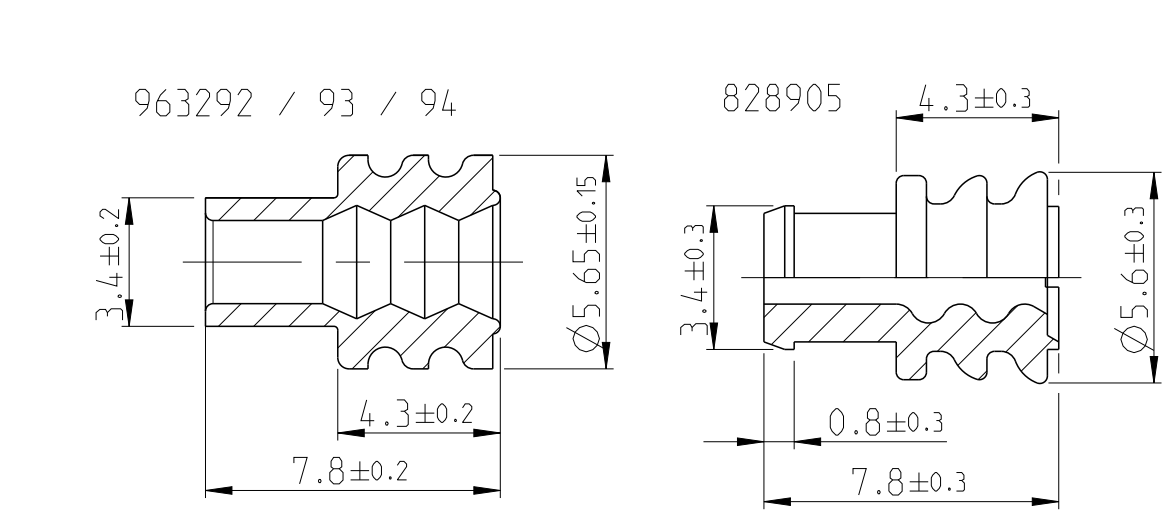
FLR- AND FLK-CABLE
FLR- und FLK- Leitung



TE ORDER NO. STRIP FORM Bandware	REV.	DESIGN Ausfuehrung	MATERIAL Werkstoff	SURFACE Oberflaeche	WIRE RANGE Drahtgroessen Bereich [mm²]	INSULATION Isolations Ø [mm]	STRIP FROM WIRE CRIMP INSUL.-CRIMP Iso.-Crimp Bandware	A	B	C	D	CRIMP DATA AND CRIMP TOOL Crimpdataen u. Crimpwerkzeuge
1241978-2	A	1	CuSn 4	PRET INNED vorverzinkt	>2.5-4.0	2.7-3.7	E = 4.5 G = 4.7 DDr = 2.3	H = 5.8 K = 6.0 D = 3.3	3.6	5.0	6.5	19.5
1241978-1	A		CuFe2	PRET INNED vorverzinkt								
4-965999-1	F		CuNiSi	△								
2-965999-1	F		CuSn 4	△								
965999-6	A	1	CuSn 4	△	>1.0-2.5	2.2-3.0	E = 3.6 G = 3.8 DDr = 1.8	H = 4.7 K = 4.9 D = 2.6	3.3	4.3	5.8	18.8
965999-2	F		CuSn 4	PRET INNED vorverzinkt								
965999-1	F		CuFe2	PRET INNED vorverzinkt								
4-964284-1	F		CuNiSi	△								
2-964284-1	F		CuSn 4	△								
964284-6	A	1	CuSn 4	△	0.5-1.0	1.4-2.1	E = 2.5 G = 2.7 DDr = 1.2	H = 3.7 K = 3.9 D = 1.8	3.0	4.0	5.5	18.8
964284-2	F		CuSn 4	PRET INNED vorverzinkt								
964284-1	F		CuFe2	PRET INNED vorverzinkt								
2-2141892-1	△	A	CuSn 4	△	0.35	1.2-1.3	E = 2.4 G = 2.3 DDr = 1.0	H = 2.9 K = 2.9 D = 1.4	2.5	3.5	5.6	18.8
2141892-2	△	A	CuSn 4	PRET INNED vorverzinkt								
2-964280-1	F		CuSn 4	△								
964280-2	F	3	CuSn 4	PRET INNED vorverzinkt	0.2-0.5	1.15-1.6	E = 2.1 G = 2.1 DDr = 0.8	H = 2.7 K = 2.8 D = 1.4	2.5	3.5	5.6	18.8
964280-1	F		CuFe2	PRET INNED vorverzinkt								
2-1564326-1	△	A	CuSn 4	△	0.35	1.2-1.3	E = 2.4 G = 2.3 DDr = 1.0	H = 4.85 K = 4.5 D = 3.2	2.5	4.7	6.3	19.55
1241872-1	△	A	CuFe2	PRET INNED vorverzinkt	>1.0-2.5	2.2-3.0	E = 3.6 G = 3.8 DDr = 1.8	H = 5.3 K = 5.0 D = 3.5	3.5	5.2	6.8	19.55
1241868-1	△	A	CuFe2	PRET INNED vorverzinkt	0.5-1.0	1.4-2.7	E = 2.5 G = 2.7 DDr = 1.2	H = 5.1 K = 4.8 D = 3.3	3.0	4.7	6.3	19.55
4-1241864-1	△	A	CuNiSi	△	0.2-0.5	1.2-2.3	E = 2.1 G = 2.1 DDr = 0.8	H = 4.7 K = 4.5 D = 3.2	2.5	4.7	6.3	19.55
6-964273-6	F		CuSn 4	△								
3-964273-1	F		CuNiSi	△								
2-964273-1	F	5	CuSn 4	△	>1.0-2.5	2.2-3.0	E = 3.6 G = 3.8 DDr = 1.8	H = 5.3 K = 5.0 D = 3.5	3.5	5.2	6.8	19.55
964273-2	F		CuSn 4	PRET INNED vorverzinkt								
964273-1	F		CuFe2	PRET INNED vorverzinkt								
6-964286-6	F		CuSn 4	△								
2-964286-1	F	5	CuSn 4	△	0.5-1.0	1.4-2.7	E = 2.5 G = 2.7 DDr = 1.2	H = 5.1 K = 4.8 D = 3.3	3.0	4.7	6.3	19.55
964286-2	F		CuSn 4	PRET INNED vorverzinkt								
964286-1	F		CuFe2	PRET INNED vorverzinkt								
2-2141894-1	△	A	CuSn 4	△	0.35	1.2-1.3	E = 2.4 G = 2.3 DDr = 1.0	H = 4.85 K = 4.5 D = 3.2	2.5	4.7	6.3	19.55
2141894-2	△	A	CuSn 4	PRET INNED vorverzinkt								
6-964282-6	F		CuSn 4	△								
2-964282-1	F	6	CuSn 4	△	0.2-0.5	1.2-2.3	E = 2.1 G = 2.1 DDr = 0.8	H = 4.7 K = 4.5 D = 3.2	2.5	4.7	6.3	19.55
964282-2	F		CuSn 4	PRET INNED vorverzinkt								
964282-1	F		CuFe2	PRET INNED vorverzinkt								

SCE APPLICATION - SPECIFICATION
siehe Veranlassungsspezifikation
14-180550

- △ BODY ELECTRO TIN PLATED OVER NICKEL 0.2 µm min.
Kontaktkoerper galv. verzinkt ueber Nickel 0.2 µm min.
CONTACT AREA SELECTIV GOLD OVER NICKEL 0.8 µm min.
Kontaktzone selektiv vergoldet ueber Nickel 0.8 µm min.
WIRE CRIMP AREA ELECTRO TIN PLATED 1 µm min.
Drahtcrimbereich galv. verzinkt 1 µm min.
- △ ACCORDING INSULATION DIA IS TO CHOOSE THE SINGLE WIRE SEAL
Entsprechend dem Isolationsdurchmesser ist die Einzel-Dichtung auszuwaehlen
- △ CUT OFF OPTIONAL
Optionaler Federabschnitt
- △ VARIANTS WITH GAP-SIZE 0.3mm
Varianten mit Gap-Size 0.3mm
- △ FOR EVALUATION OF THE GAP-SIZE, THE MATING-FORCE HAS PRIORITY.
Zur Beurteilung des Oeffnungsmasses ist die Steckkraft ausschlaggebend
- △ CONTACT BODY PRE-SILVER PLATED MIN. 0.8µm
CONTACT ZONE SELECTIVE PRE-SILVER PLATED MIN. 3µm
Kontaktkoerper vorversilbert min. 0.8µm
Kontaktzone selektiv vorversilbert min. 3µm
- △ PUNCHED WITH VOLATILIZING STAMPING-OIL
Gestanzl mit vertuechtigendem Stanzoel
- △ SERRATIONS OVER THE WHOLE WIDTH OF THE CRIMP AREA
Rillen ueber die ganze Breite des Crimpbereichs.



SINGLE WIRE SEAL Einzel-Dichtung		
963292-1	2.7-3.0	yellow gelb
963293-1	2.0-2.7	redbrown rotbraun
963294-1	1.2-2.1	blue blau
828905-1	2.2-3.0	white weiss
ORDER No. Bestell-Nr.	INSULATION Ø Isolations Ø	COLOR Farbe

